

**B2W,B3W,B4W,B5W,B6W**  
**ECONOMICAL DOOR CLOSERS SOLUTIONS**



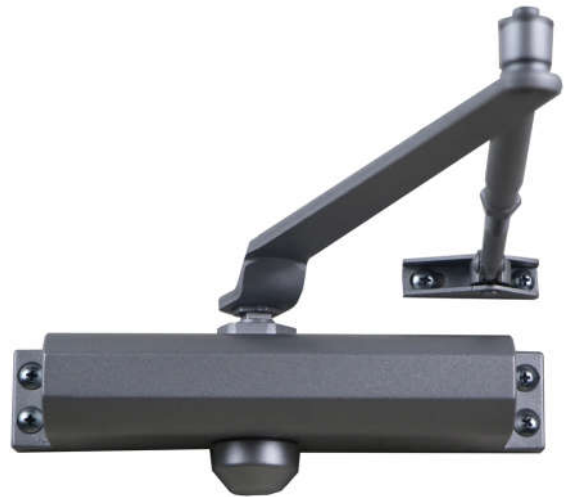
**B2W,Holes pattern:132x19mm**



**B3W,Holes pattern:165x19mm**



**B4W, Holes pattern: 188x19mm**



**B5W, Holes pattern: 208x19mm**



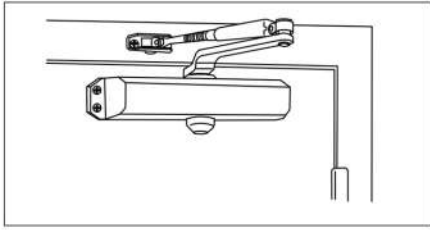
**B6W, Holes pattern: 230x19mm**

### STANDARD FEATURES

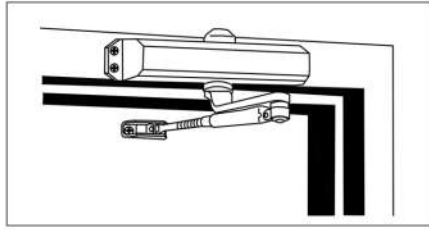
- **UL and CUL certified, UL10C up to 3 hours fire rating**
- Fixed Size 2/3/4/5/6 power size available, suit for different door weight.
- Non handed for left hand and Right Hand door
- High strength Die Cast aluminum body
- Adjustable closing and latch Speed
- All weather fluid for working temperature 55C to -42C.
- Standard Regular arm and Top Jamb installation
- Finish: Silver (Aluminum), Brown, White; other finishes upon customer's request.

### OPTIONAL FEATURES

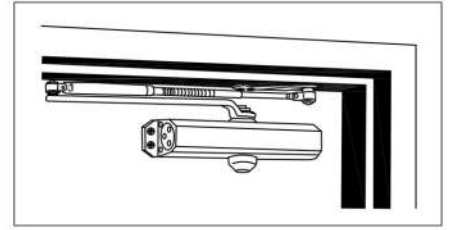
- Parallel Arm Bracket for parallel arm installation



Regular Arm-Pull side

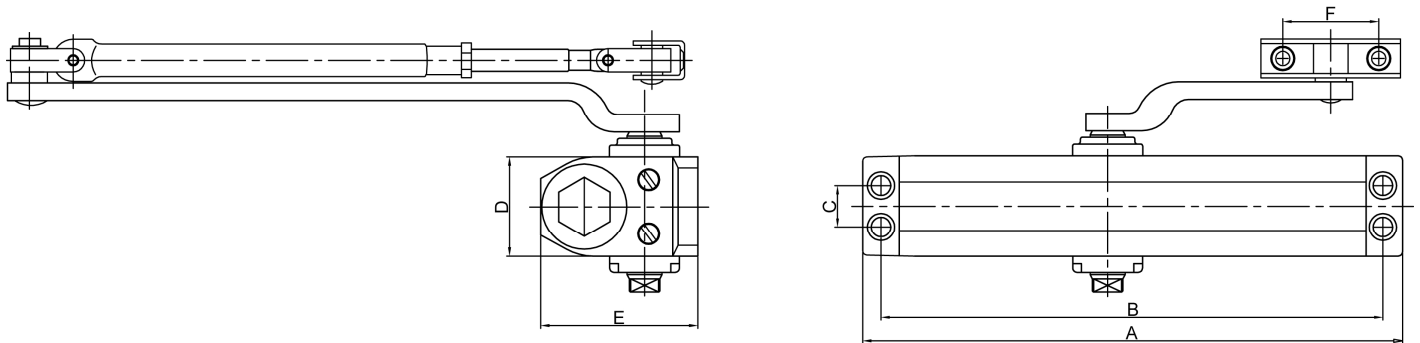


Top Jamb-Push side



Parallel arm -Push side

**TECHNICAL DIMENSIONS & HOW TO ORDER**



- A: Closer body length
- B: Horizontal Holes Spacing
- C: Vertical Holes Spacing
- D: Closer body Width
- E: Closer Body Projection
- F: Arm Shoe Spacing

Model #	Technical Dimensions (Unit: mm)						Door closer Power Size	Recommended Door Weight	Recommended Door leaf Width (mm)	Warranty:
	A	B	C	D	E	F				
<b>B2W</b>	147	<b>132</b>	<b>19</b>	36	56	44	<b>SIZE 2</b>	<b>25-45 kg</b>	850	5 years
<b>B3W</b>	178	<b>162-168</b>	<b>19</b>	39	62	44	<b>SIZE 3</b>	<b>45-65 kg</b>	950	5 years
<b>B4W</b>	204	<b>188</b>	<b>19</b>	42	71	44	<b>SIZE 4</b>	<b>65-85 kg</b>	1100	5 years
<b>B5W</b>	226	<b>208</b>	<b>19</b>	46	72	44	<b>SIZE 5</b>	<b>85-120 kg</b>	1400	5 years
<b>B6W</b>	248	<b>230</b>	<b>19</b>	46	72	44	<b>SIZE 6</b>	<b>120-150 kg</b>	1600	5 years

\*\*\*\*The door width given are for standard installation, In case of unusually high or heavy doors, windy or draughty conditions, or special installations, a large power size of door closer should be used.